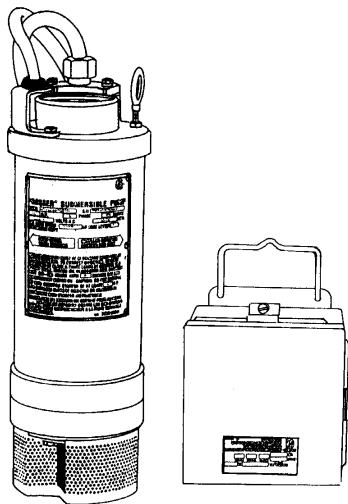


# PROSSER® STANDARD-LINE®

Submersible Dewatering Pumps  
 Series: 9-01000 & 9-01300  
 2" NPT Female Discharge

SECTION	A
PAGE	1
DATE	12/02
REPLACES	1/02



**Series: 9-01000, 0.75HP**  
**9-01300, 1.0HP**

**CSA 108 - File No. LR16567**  
**UL 778**

**NRTLIC**

**DESCRIPTION:**

Prosser's small but powerful Portable Electric Submersible Pumps are compact, lightweight units. They are quiet and will operate in any position. No priming, suction hose or foot valves are required. Prosser pumps can be easily staged for higher head applications.

The unique in-line design assures a cool running motor with heat transferred to the pumped liquid. Prosser pumps can operate in up to 140°F (60°C) temperature water and within a range of 5 to 9PH.

Before pumping fluids other than water consult the factory, giving fluid, fluid temperature, specific gravity, viscosity, capacity in USGPM and total head and/or pressure requirements, including friction loss through discharge line, fittings, valves, etc.

**DISCHARGE CASE:** 356T6 Aluminum, Hard Anodized  
**DIFFUSER:** 356T6 Aluminum, Hard Anodized  
**SUCTION CASE:** 356T6 Aluminum, Hard Anodized, with wear resistant polyurethane liner  
**FRAME & OUTER CASE:** 6063T6 Aluminum, Hard Anodized  
**PUMP SHAFT:** Stainless Steel  
**IMPELLER:** Polyurethane  
**HARDWARE:** Stainless Steel  
**O-RINGS:** Buna-N  
**SEAL:** *Design:* Tandem mechanical, Oil lubricated  
*Material:* Rotating Face - Carbon  
 Stationary Face - Ceramic  
 Elastomer - Buna-N  
 Hardware - 300 Series Stainless  
**STRAINER:** 300 series stainless steel, .25"(6.35mm) Holes  
**UPPER BEARING:** *Design:* Single Row, Shielded, Ball  
*Lubrication:* Prelubricated high-temperature grease  
*Load:* Radial  
**LOWER BEARING:** *Design:* Single Row, Shielded, Ball  
*Lubrication:* Prelubricated high-temperature grease  
*Load:* Radial & Thrust  
**CABLE ENTRY:** 25Ft. with Strain Relief and Pressure Grommet for Sealing  
**MOTOR:** *Design:* NEMA Design L-Single Phase, NEMA Design B-Three Phase Squirrel Cage Induction  
*Insulation:* Class F  
**CONTROL:** *Single Phase:* Watertight, NEMA 4. Provides overload and short circuit protection, Start & Run Capacitors, ON-OFF Switch. Six foot power cord from control to cord plug, with 3 prong plug on 115 and 230 volt models  
*Three Phase:* Rainproof, NEMA 3R, Provides with Circuit Breaker for overload and short circuit protection  
**OPTIONAL EQUIPMENT:** Watertight, NEMA 4 Control For 3 Phase Pumps. Discharge Adapters, Aluminum Mushroom Strainer, Sludge Strainer, to pump water level to within .25" (6mm) of level floor, Viton® Seals, Stainless Steel Impeller and Lift Cord. See accessory section for additional information

50HZ DATA AVAILABLE UPON REQUEST

**WARRANTY INVALID IF CORRECT PROSSER CONTROL IS NOT USED AT ALL TIMES**

<b>WEIGHT</b>	<b>SHIPPING WT./STD.UNIT</b>
Pump Only - 23lbs.	<u>Pump, Cable &amp; Control</u>
Control 1PH - 8lbs	Domestic 1PH - 37lbs.
Control 3PH - 12lbs.	Domestic 3PH - 40lbs.
Cable - .21lbs/Ft	Export - 54-60lbs/1.7Cu.Ft.



**PUMPS & SYSTEMS**

A Crane Co. Company

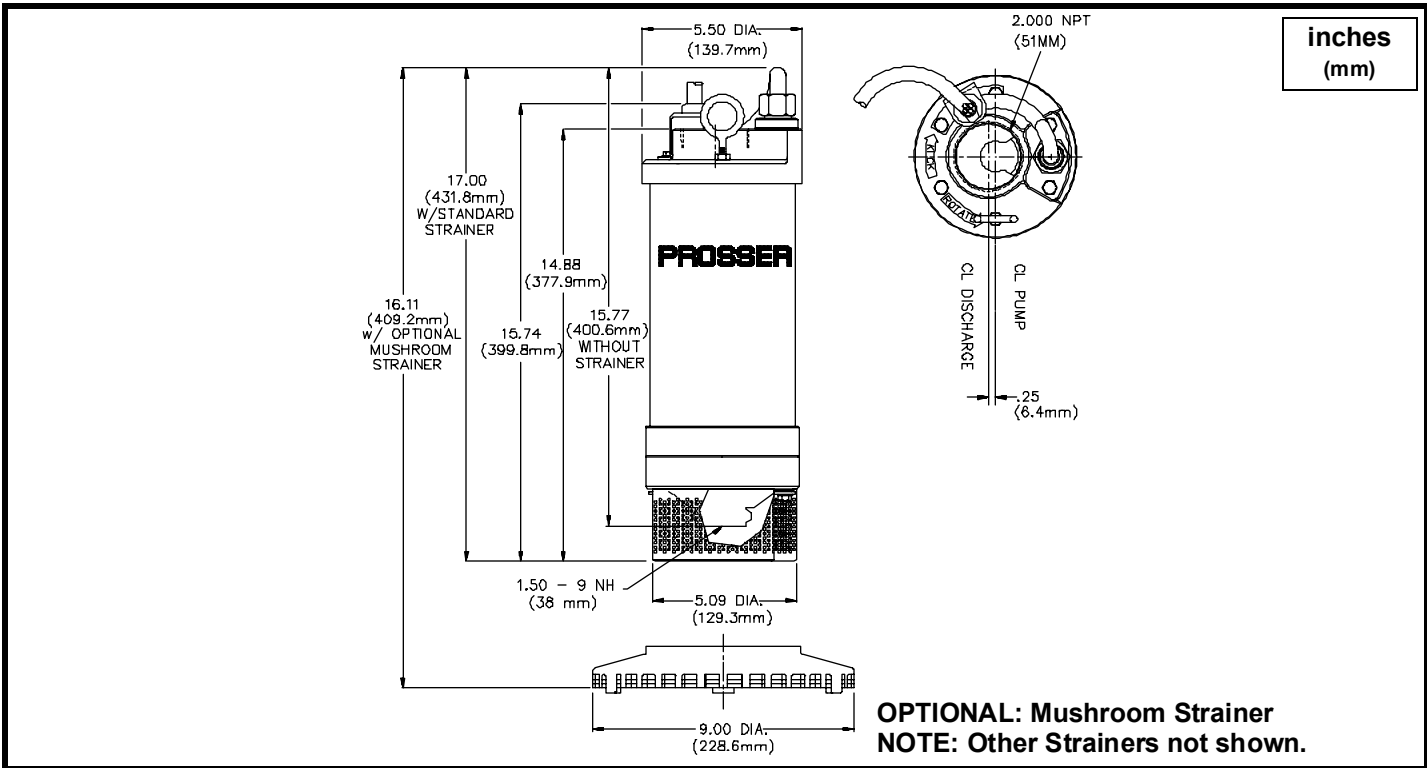
1485 Lexington Ave.  
 Mansfield, Ohio 44907-2674  
 Ph: (937) 778-8947  
 Fax: (419) 774-1530  
 www.prosserpumps.com

420 Third Street/P.O. Box 603  
 Piqua, Ohio 45356-0603  
 Ph: (937) 778-8947  
 Fax: (937) 773-7157  
 www.cranepumps.com

83 West Drive  
 Brampton, Ontario  
 Canada L6T 2J6  
 Ph: (905) 457-6223  
 Fax: (905) 457-2650



SECTION	A
PAGE	2
DATE	12/02
REPLACES	3/01



PART NO.	HP	VOLT	PH	HZ	RPM (Nom.)	NEMA START CODE	FULL LOAD AMPS	LOCKED ROTOR AMPS	CORD SIZE	CORD TYPE	MAX. CABLE LENGTH
<b>PUMP w/WATERTIGHT CONTROL:</b>											
9-01011-28FK	.75	115	1	60	3450	G	11.0	36.2	14/4	SOW	100Ft./30.5M
9-01012-28FK	.75	230	1	60	3450	G	5.8	18.1	14/4	SOW	375Ft./114.3M
9-01032-24FK	.75	230	3	60	3450	J	3.6	15.0	14/4	SOW	715Ft./217.9M
9-01034-24FK	.75	460	3	60	3450	J	1.8	7.5	14/4	SOW	2860Ft./871.7M
9-01035-24FK	.75	575	3	60	3450	K	1.4	6.2	14/4	SOW	4595Ft./1400.5M
9-01311-28FK	1.0	115	1	60	3450	D	12.0	36.2	14/4	SOW	90Ft./27.4M
9-01312-28FK	1.0	230	1	60	3450	D	6.7	18.1	14/4	SOW	325Ft./99.1M
9-01332-24FK	1.0	230	3	60	3450	G	3.8	15.0	14/4	SOW	675Ft./205.7M
9-01334-24FK	1.0	460	3	60	3450	G	1.9	7.5	14/4	SOW	2705Ft./824.4M
9-01335-24FK	1.0	575	3	60	3450	G	1.5	6.2	14/4	SOW	4290Ft./1307.5M
<b>PUMP w/RAINPROOF CONTROL:</b>											
9-01032-23FK	.75	230	3	60	3450	J	3.6	15.0	14/4	SOW	715Ft./217.9M
9-01034-23FK	.75	460	3	60	3450	J	1.8	7.5	14/4	SOW	2860Ft./871.7M
9-01035-23FK	.75	575	3	60	3450	K	1.4	6.2	14/4	SOW	4595Ft./1400.5M
9-01332-23FK	1.0	230	3	60	3450	G	3.8	15.0	14/4	SOW	675Ft./205.7M
9-01334-23FK	1.0	460	3	60	3450	G	1.9	7.5	14/4	SOW	2705Ft./824.4M
9-01335-23FK	1.0	575	3	60	3450	G	1.5	6.2	14/4	SOW	4290Ft./1307.5M

Pump rated for operation at ± 10% voltage at motor.

**IMPORTANT !**

- 1.) PUMP MAY BE OPERATED "DRY" FOR EXTENDED PERIODS WITHOUT DAMAGE TO MOTOR AND/OR SEALS.
- 2.) THIS PUMP IS APPROPRIATE FOR THOSE APPLICATIONS SPECIFIED AS CLASS I DIVISION II HAZARDOUS LOCATIONS.
- 3.) THIS PUMP IS **NOT** APPROPRIATE FOR THOSE APPLICATIONS SPECIFIED AS CLASS I DIVISION I HAZARDOUS LOCATIONS.
- 4.) INSTALLATIONS SUCH AS DECORATIVE FOUNTAINS OR WATER FEATURES PROVIDED FOR VISUAL ENJOYMENT MUST BE INSTALLED IN ACCORDANCE WITH THE NATIONAL ELECTRIC CODE ANS/NFPA 70 AND/OR THE AUTHORITY HAVING JURISDICTION. THIS PUMP IS NOT INTENDED FOR USE IN SWIMMING POOLS, RECREATIONAL WATER PARKS, OR INSTALLATIONS IN WHICH HUMAN CONTACT WITH PUMPED MEDIA IS A COMMON OCCURRENCE.



A Crane Co. Company

**PUMPS & SYSTEMS**

1485 Lexington Ave.  
Mansfield, Ohio 44907-2674  
Ph: (937) 778-8947  
Fax: (419) 774-1530  
www.prosserpumps.com

420 Third Street/P.O. Box 603  
Piqua, Ohio 45356-0603  
Ph: (937) 778-8947  
Fax: (937) 773-7157  
www.cranepumps.com

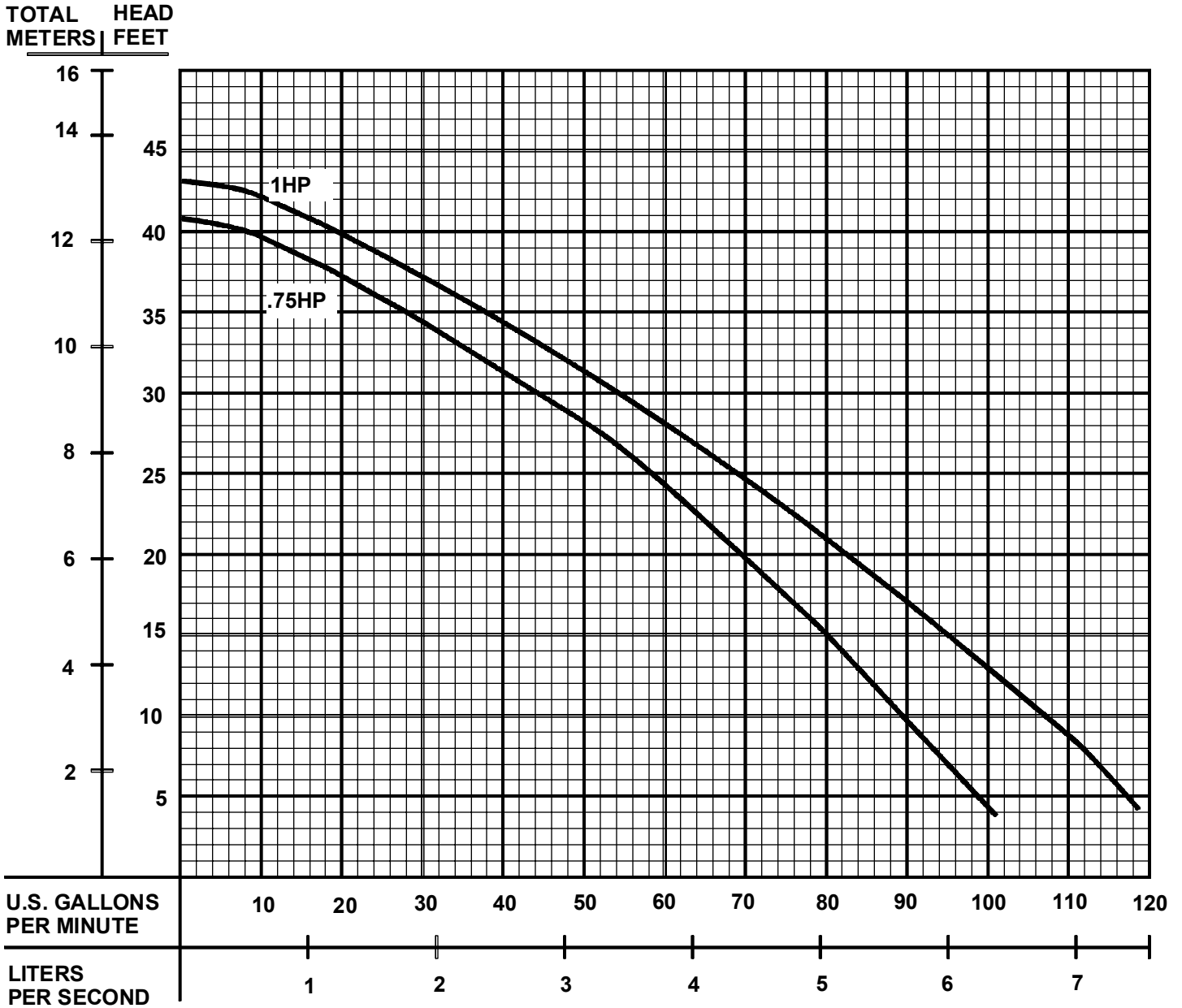
83 West Drive  
Brampton, Ontario  
Canada L6T 2J6  
Ph: (905) 457-6223  
Fax: (905) 457-2650



# PERFORMANCE CURVE

Series: 9-01000 & 9-01300  
 .75HP and 1.0HP, 3450RPM, 60Hz

SECTION	A
PAGE	3
DATE	12/02
REPLACES	3/01



Testing is performed with water, specific gravity of 1.0 @ 68°F(20°C), other fluids may vary performance.



## PUMPS & SYSTEMS

1485 Lexington Ave.  
 Mansfield, Ohio 44907-2674  
 Ph: (937) 778-8947  
 Fax: (419) 774-1530  
[www.prosserpumps.com](http://www.prosserpumps.com)

420 Third Street/P.O. Box 603  
 Piqua, Ohio 45356-0603  
 Ph: (937) 778-8947  
 Fax: (937) 773-7157  
[www.cranepumps.com](http://www.cranepumps.com)

83 West Drive  
 Brampton, Ontario  
 Canada L6T 2J6  
 Ph: (905) 457-6223  
 Fax: (905) 457-2650

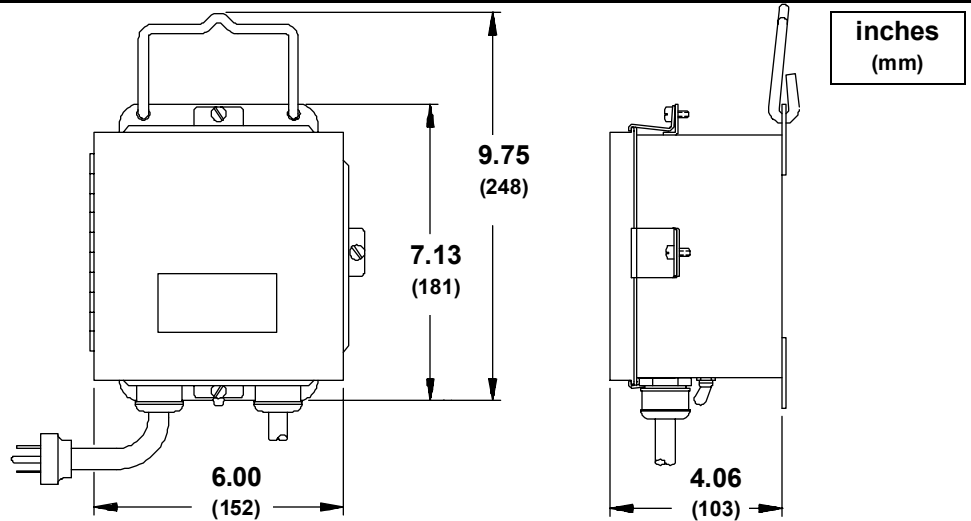


SECTION	A
PAGE	4
DATE	12/02
REPLACES	3/01

# Controls For Series: 9-01000 & 9-01300

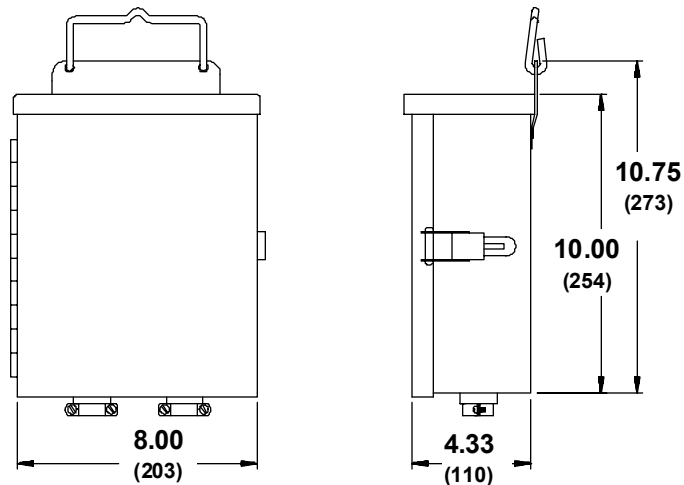
## SINGLE PHASE CONTROL NEMA 4, WATERTIGHT

Pump P/N	Control P/N
9-01011-28FK	9-101811-02
9-01012-28FK	9-101812-02
9-01311-28FK	9-101811-02
9-01312-28FK	9-101812-02



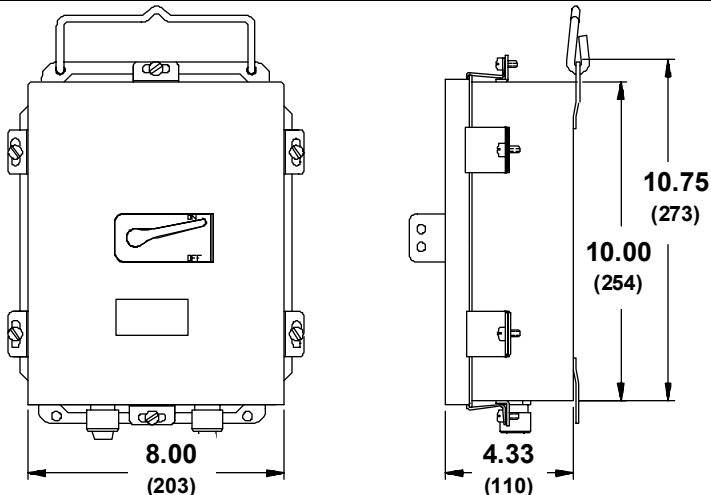
## THREE PHASE CONTROL NEMA 3R, RAINPROOF

Pump P/N	Control P/N
9-01032-23FK	9-075832-13
9-01034-23FK	9-100834-13
9-01035-23FK	9-100835-13
9-01332-23FK	9-100832-13
9-01334-23FK	9-100834-13
9-01335-23FK	9-100835-13



## THREE PHASE CONTROL NEMA 4, WATERTIGHT

Pump P/N	Control P/N
9-01032-24FK	9-075832-04
9-01034-24FK	9-100834-04
9-01035-24FK	9-100835-04
9-01332-24FK	9-100832-04
9-01334-24FK	9-100834-04
9-01335-24FK	9-100835-04



A Crane Co. Company

### PUMPS & SYSTEMS

1485 Lexington Ave.  
Mansfield, Ohio 44907-2674  
Ph: (937) 778-8947  
Fax: (419) 774-1530  
www.prosserpumps.com

420 Third Street/P.O. Box 603  
Piqua, Ohio 45356-0603  
Ph: (937) 778-8947  
Fax: (937) 773-7157  
www.cranepumps.com

83 West Drive  
Brampton, Ontario  
Canada L6T 2J6  
Ph: (905) 457-6223  
Fax: (905) 457-2650

