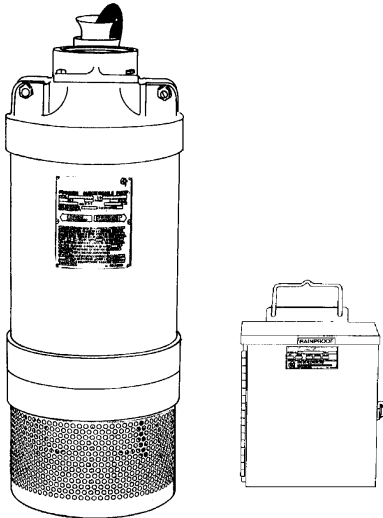


PROSSER® STANDARD-LINE®

Submersible Dewatering Pumps
Series: 9-81500, HV & HH
4" NPT Female Discharge

SECTION	A
PAGE	33
DATE	12/02
REPLACES	1/02



Series: 9-81500, 15HP, 3PH



DESCRIPTION:

Prosser's small but powerful Portable Electric Submersible Pumps are compact, lightweight units. They are quiet and will operate in any position. No priming, suction hose or foot valves are required. Prosser pumps can be easily staged for higher head applications. The patented outboard shaft seal on this pump is a specially designed silicon carbide abrasive resistant type "S" shaft seal, which offers greater service life. A special abrasion resistant suction case lining and wear plate is a standard feature that protects the pump against wear from abrasive laden water.

The unique in-line design assures a cool running motor with heat transferred to the pumped liquid. Prosser pumps can operate in up to 140°F (60°C) temperature water and within a range of 5 to 9 PH.

Before pumping fluids other than water consult the factory, giving fluid, fluid temperature, specific gravity, viscosity, capacity in USGPM and total head and/or pressure requirements, including friction loss through discharge line, fittings, valves, etc.

DISCHARGE CASE:	356T6 Aluminum, Hard Anodized
DIFFUSER:	356T6 Aluminum, Hard Anodized
SUCTION CASE:	356T6 Aluminum, Hard Anodized, with wear resistant polyurethane liner
FRAME & OUTER CASE:	6063T6 Aluminum, Hard Anodized
PUMP SHAFT:	Stainless Steel
IMPELLER:	Hardened 17-4 Stainless Steel
HARDWARE:	Stainless Steel
O-RINGS:	Buna-N
SEAL: <i>Design:</i>	Tandem Mechanical, Oil Lubricated
INBOARD: <i>Material:</i>	Rotating Face - Carbon
	Stationary Face - Ceramic
	Elastomer - Buna-N
OUTBOARD: <i>Material:</i>	Hardware - 300 Series Stainless
	Rotating Face - Silicon Carbide
	Stationary Face - Silicon Carbide
	Elastomer - Viton®
	Hardware - 300 Series Stainless
STRAINER:	300 series stainless steel, .25"(6.35mm) Holes
UPPER BEARING:	
<i>Design:</i>	Single Row, Shielded, Ball
<i>Lubrication:</i>	Prelubricated high-temperature grease
<i>Load:</i>	Radial
LOWER BEARING:	
<i>Design:</i>	Single Row, Ball, Angular Contact
<i>Lubrication:</i>	Prelubricated high-temperature grease
<i>Load:</i>	Radial & Thrust
CABLE ENTRY:	50Ft. (15M), with Strain Relief and Pressure Grommet for Sealing
MOTOR: <i>Design:</i>	NEMA Design B-Three Phase Squirrel Cage Induction
	Class F
CONTROL: <i>Insulation:</i>	Class F
	<i>Three Phase:</i> Rainproof, NEMA 3R, Provides with Circuit Breaker for overload and short circuit protection
OPTIONAL EQUIPMENT:	Watertight, NEMA 4 Control, Adapter Kit, Viton® Seals. See accessory section for additional information.

50HZ DATA AVAILABLE UPON REQUEST

WARRANTY INVALID IF CORRECT PROSSER CONTROL IS NOT USED AT ALL TIMES

WEIGHT

Pump Only - 150lbs.
Control - 12lbs
Cable - 12/4-.27lbs/Ft
Cable - 6/4- .78lbs./Ft.

SHIPPING WT./STD UNIT

Pump, Cable & Control
12/4 Cable 214lbs.
6/4 Cable 235lbs.
Both 6.3Cu.Ft.



A Crane Co. Company

PUMPS & SYSTEMS

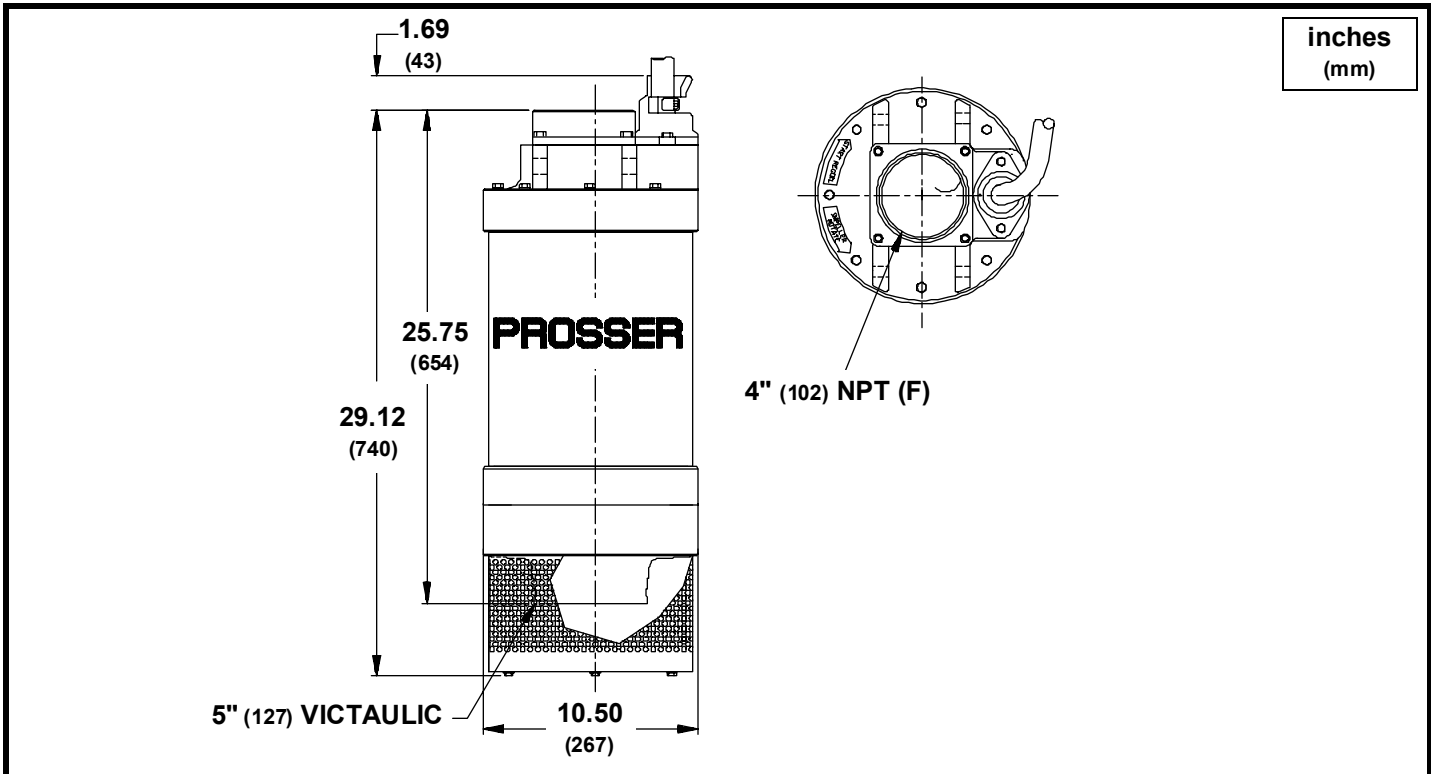
1485 Lexington Ave.
Mansfield, Ohio 44907-2674
Ph: (937) 778-8947
Fax: (419) 774-1530
www.prosserpumps.com

420 Third Street/P.O. Box 603
Piqua, Ohio 45356-0603
Ph: (937) 778-8947
Fax: (937) 773-7157
www.cranepumps.com

83 West Drive
Brampton, Ontario
Canada L6T 2J6
Ph: (905) 457-6223
Fax: (905) 457-2650



SECTION	A
PAGE	34
DATE	2/03
REPLACES	12/02



PART NO.	HP	VOLT	PH	HZ	RPM (Nom.)	NEMA START CODE	FULL LOAD AMPS	LOCKED ROTOR AMPS	CORD SIZE	CORD TYPE	MAX. CABLE LENGTH
HH SERIES PUMP w/RAINPROOF CONTROL:											
9-81532-23	15.0	230	3	60	3450	J	39.5	288.0	6/4	SOW	375Ft./81M
9-81534-23	15.0	460	3	60	3450	J	19.7	144.0	12/4	SOW	420Ft./128M
9-81535-23	15.0	575	3	60	3450	J	15.6	110.0	12/4	SOW	658Ft./281M
HV SERIES PUMP w/RAINPROOF CONTROL:											
9-81532-03	15.0	230	3	60	3450	J	39.5	288.0	6/4	SOW	375Ft./81M
9-81534-03	15.0	460	3	60	3450	J	19.7	144.0	12/4	SOW	420Ft./128M
9-81535-03	15.0	575	3	60	3450	J	15.6	110.0	12/4	SOW	658Ft./281M
HH SERIES PUMP w/OPTIONAL WATERTIGHT CONTROL:											
9-81532-24	15.0	230	3	60	3450	J	39.5	288.0	6/4	SOW	375Ft./81M
9-81534-24	15.0	460	3	60	3450	J	19.7	144.0	12/4	SOW	420Ft./128M
9-81535-24	15.0	575	3	60	3450	J	15.6	110.0	12/4	SOW	658Ft./281M
HV SERIES PUMP w/OPTIONAL WATERTIGHT CONTROL:											
9-81532-04	15.0	230	3	60	3450	J	39.5	288.0	6/4	SOW	375Ft./81M
9-81534-04	15.0	460	3	60	3450	J	19.7	144.0	12/4	SOW	420Ft./128M
9-81535-04	15.0	575	3	60	3450	J	15.6	110.0	12/4	SOW	658Ft./281M

Pump rated for operation at ± 10% voltage at motor.

IMPORTANT !

- 1.) PUMP MAY BE OPERATED "DRY" FOR EXTENDED PERIODS WITHOUT DAMAGE TO MOTOR AND/OR SEALS.
- 2.) THIS PUMP IS APPROPRIATE FOR THOSE APPLICATIONS SPECIFIED AS CLASS I DIVISION II HAZARDOUS LOCATIONS. THE CONTROL SUPPLIED WITH THE PUMP IS NOT APPROPRIATE FOR HAZARDOUS LOCATIONS.
- 3.) THIS PUMP IS **NOT** APPROPRIATE FOR THOSE APPLICATIONS SPECIFIED AS CLASS I DIVISION I HAZARDOUS LOCATIONS.
- 4.) INSTALLATIONS SUCH AS DECORATIVE FOUNTAINS OR WATER FEATURES PROVIDED FOR VISUAL ENJOYMENT MUST BE INSTALLED IN ACCORDANCE WITH THE NATIONAL ELECTRIC CODE ANSI/NFPA 70 AND/OR THE AUTHORITY HAVING JURISDICTION. THIS PUMP IS NOT INTENDED FOR USE IN SWIMMING POOLS, RECREATIONAL WATER PARKS, OR INSTALLATIONS IN WHICH HUMAN CONTACT WITH PUMPED MEDIA IS A COMMON OCCURRENCE.



A Crane Co. Company

PUMPS & SYSTEMS

1485 Lexington Ave.
Mansfield, Ohio 44907-2674
Ph: (937) 778-8947
Fax: (419) 774-1530
www.prosserpumps.com

420 Third Street/P.O. Box 603
Piqua, Ohio 45356-0603
Ph: (937) 778-8947
Fax: (937) 773-7157
www.cranepumps.com

83 West Drive
Brampton, Ontario
Canada L6T 2J6
Ph: (905) 457-6223
Fax: (905) 457-2650

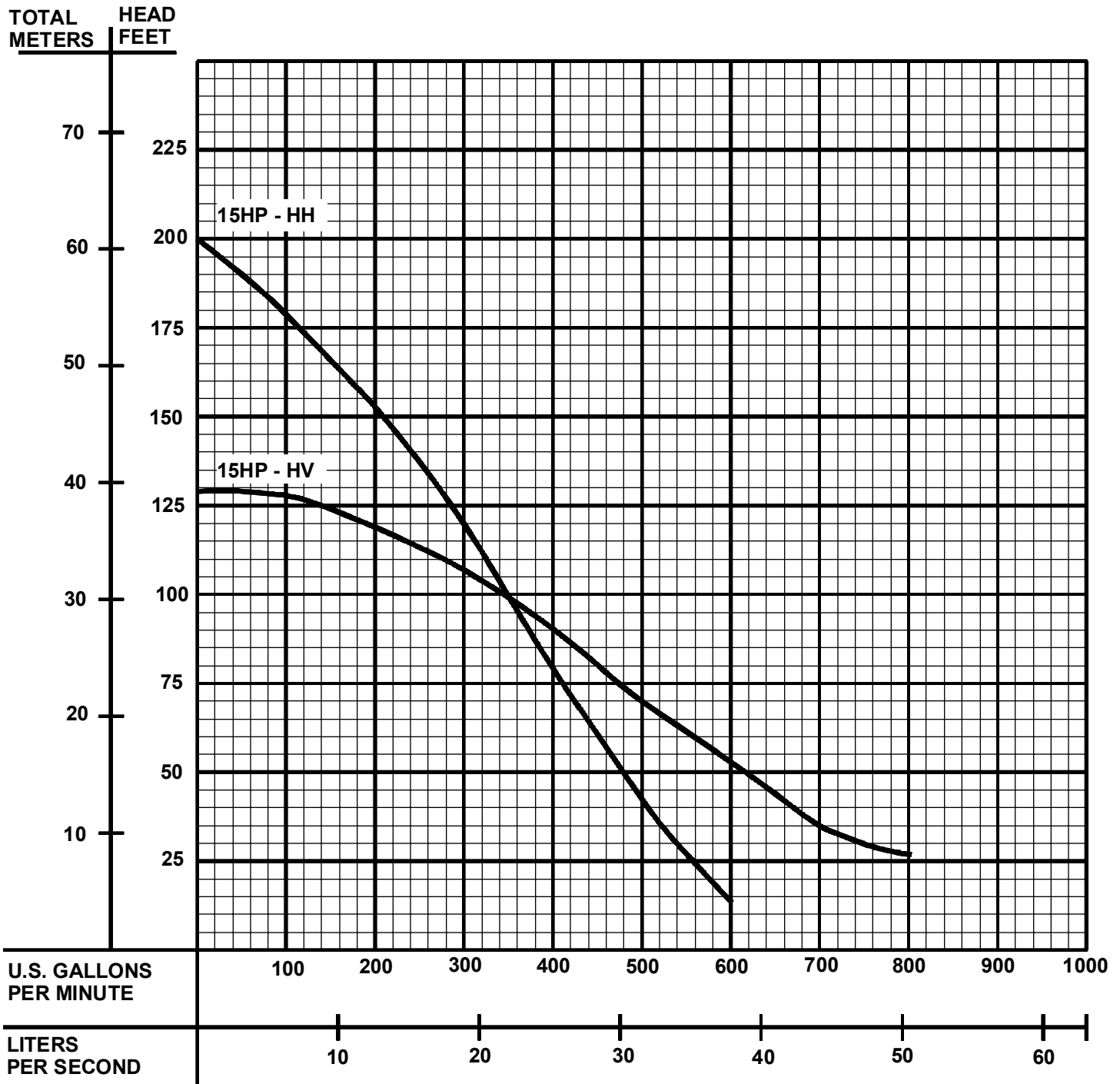


PERFORMANCE CURVE

Series: 9-81500, HH & HV

15HP, 3450RPM, 60Hz

SECTION	A
PAGE	35
DATE	12/02
REPLACES	3/01



Testing is performed with water, specific gravity of 1.0 @ 68°F (20°C), other fluids may vary performance.



PUMPS & SYSTEMS

1485 Lexington Ave.
Mansfield, Ohio 44907-2674
Ph: (937) 778-8947
Fax: (419) 774-1530
www.prosserpumps.com

420 Third Street/P.O. Box 603
Piqua, Ohio 45356-0603
Ph: (937) 778-8947
Fax: (937) 773-7157
www.cranepumps.com

83 West Drive
Brampton, Ontario
Canada L6T 2J6
Ph: (905) 457-6223
Fax: (905) 457-2650

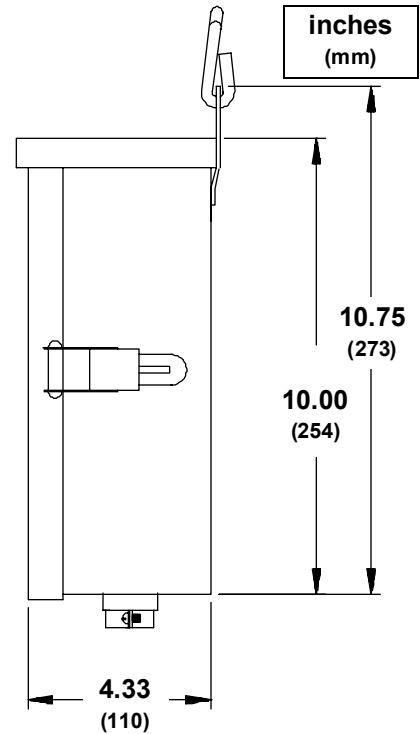
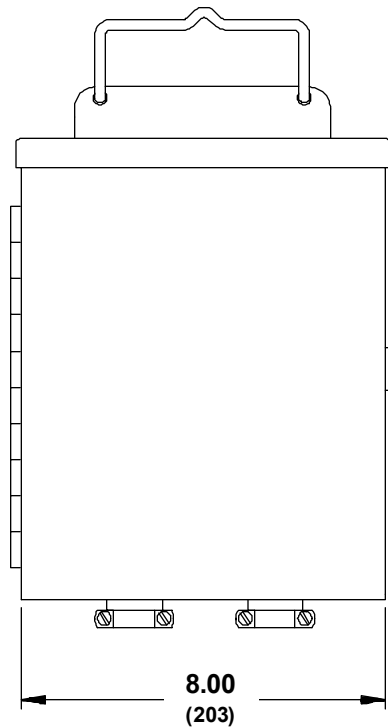


SECTION	A
PAGE	36
DATE	12/02
REPLACES	3/01

Controls For Series: 9-81500

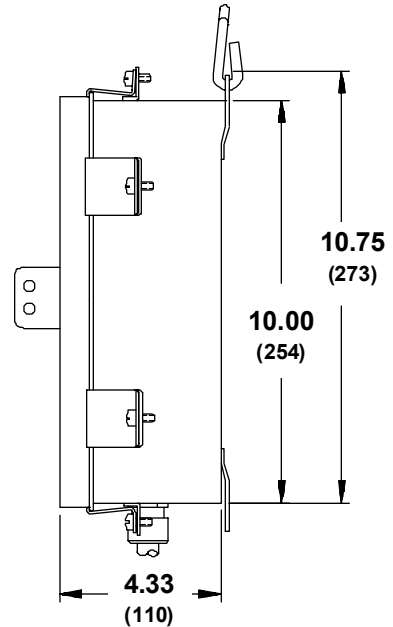
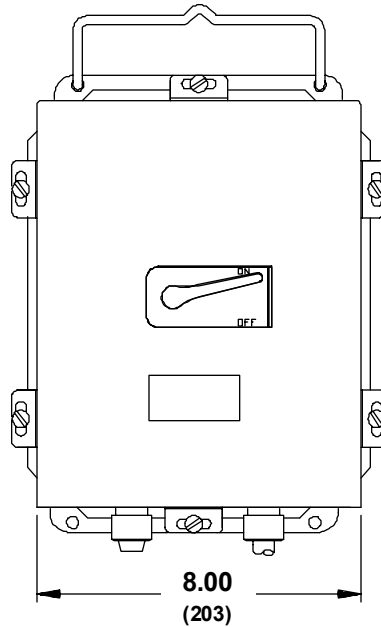
CONTROL NEMA 3R, RAINPROOF

Pump Model	Control P/N
9-81532-23	9-815832-03
9-81534-23	9-815834-03
9-81535-23	9-810834-03
9-81532-03	9-815832-03
9-81534-03	9-815834-03
9-81535-03	9-810834-03



OPTIONAL - CONTROL NEMA4, WATERTIGHT

Pump Model	Control P/N
9-81532-24	9-815832-04
9-81534-24	9-815834-04
9-81535-24	9-810834-04
9-81532-04	9-815832-04
9-81534-04	9-815834-04
9-81535-04	9-810834-04



CRANE[®]

A Crane Co. Company

PUMPS & SYSTEMS

1485 Lexington Ave.
Mansfield, Ohio 44907-2674
Ph: (937) 778-8947
Fax: (419) 774-1530
www.prosserpumps.com

420 Third Street/P.O. Box 603
Piqua, Ohio 45356-0603
Ph: (937) 778-8947
Fax: (937) 773-7157
www.cranepumps.com

83 West Drive
Brampton, Ontario
Canada L6T 2J6
Ph: (905) 457-6223
Fax: (905) 457-2650

