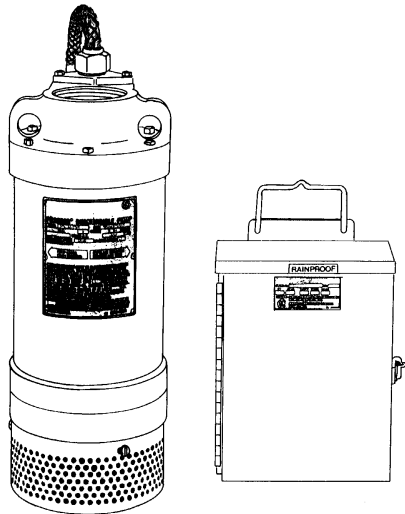


PROSSER® STANDARD-LINE®

Submersible Dewatering Pumps
 Series: 9-27000
 3" NPT Female Discharge

SECTION	A
PAGE	13
DATE	12/02
REPLACES	1/02



Series: 9-27000, 2.75HP, 1PH

CSA® CSA 108 - File No. LR16567
 UL 778
 NRTLIC

DESCRIPTION:

Prosser's small but powerful Portable Electric Submersible Pumps are compact, lightweight units. They are quiet and will operate in any position. No priming, suction hose or foot valves are required. Prosser pumps can be easily staged for higher head applications. The patented outboard shaft seal on this pump is a specially designed silicon carbide abrasive resistant type "S" shaft seal, which offers greater service life. A special abrasion resistant suction case lining and wear plate is a standard feature that protects the pump against wear from abrasive laden water.

The unique in-line design assures a cool running motor with heat transferred to the pumped liquid. Prosser pumps can operate in up to 140°F (60°C) temperature water and within a range of 5 to 9 PH.

Before pumping fluids other than water consult the factory, giving fluid, fluid temperature, specific gravity, viscosity, capacity in USGPM and total head and/or pressure requirements, including friction loss through discharge line, fittings, valves, etc.

DISCHARGE CASE: 356T6 Aluminum, Hard Anodized
DIFFUSER: 356T6 Aluminum, Hard Anodized
SUCTION CASE: 356T6 Aluminum, Hard Anodized, with wear resistant polyurethane liner
FRAME & OUTER CASE: 6063T6 Aluminum, Hard Anodized
WEAR PLATE: Polyurethane
PUMP SHAFT: Stainless Steel
IMPELLER: Hardened 17-4 Stainless Steel
HARDWARE: Stainless Steel
O-RINGS: Buna-N
SEAL: *Design:* Tandem Mechanical, Oil Lubricated
INBOARD: *Material:* Rotating Face - Carbon
 Stationary Face - Ceramic
 Elastomer - Buna-N
 Hardware - 300 Series Stainless
OUTBOARD: *Material:* Rotating Face - Silicon Carbide
 Stationary Face - Silicon Carbide
 Elastomer - Viton®
 Hardware - 300 Series Stainless
STRAINER: 300 series stainless steel, .25"(6.35mm) Holes
UPPER BEARING:
Design: Single Row, Shielded, Ball
Lubrication: Prelubricated high-temperature grease
Load: Radial
LOWER BEARING:
Design: Single Row, Shielded, Ball
Lubrication: Prelubricated high-temperature grease
Load: Radial & Thrust
CABLE ENTRY: 50Ft. (15M), with Strain Relief and Pressure Grommet for Sealing
MOTOR: *Design:* NEMA Design L-Single Phase Squirrel Cage Induction
Insulation: Class F
CONTROL: *Single Phase:* Rainproof, NEMA 3R. Provides overload and short circuit protection, Start & Run Capacitors, ON-OFF Switch.
OPTIONAL EQUIPMENT: Watertight, NEMA 4 Control, Adapter Kit Carrying Handle, Viton® Seals, Lift Cord and Sludge Strainer. See accessory section for additional information.

WARRANTY INVALID IF CORRECT PROSSER CONTROL IS NOT USED AT ALL TIMES

WEIGHT	SHIPPING WT./STD UNIT
Pump Only - 50lbs.	<u>Pump, Cable & Control</u>
Control - 12lbs	Domestic - 79 lbs.
Cable - .27lbs/Ft	Export - 114 lbs./3.6Cu.Ft.



PUMPS & SYSTEMS

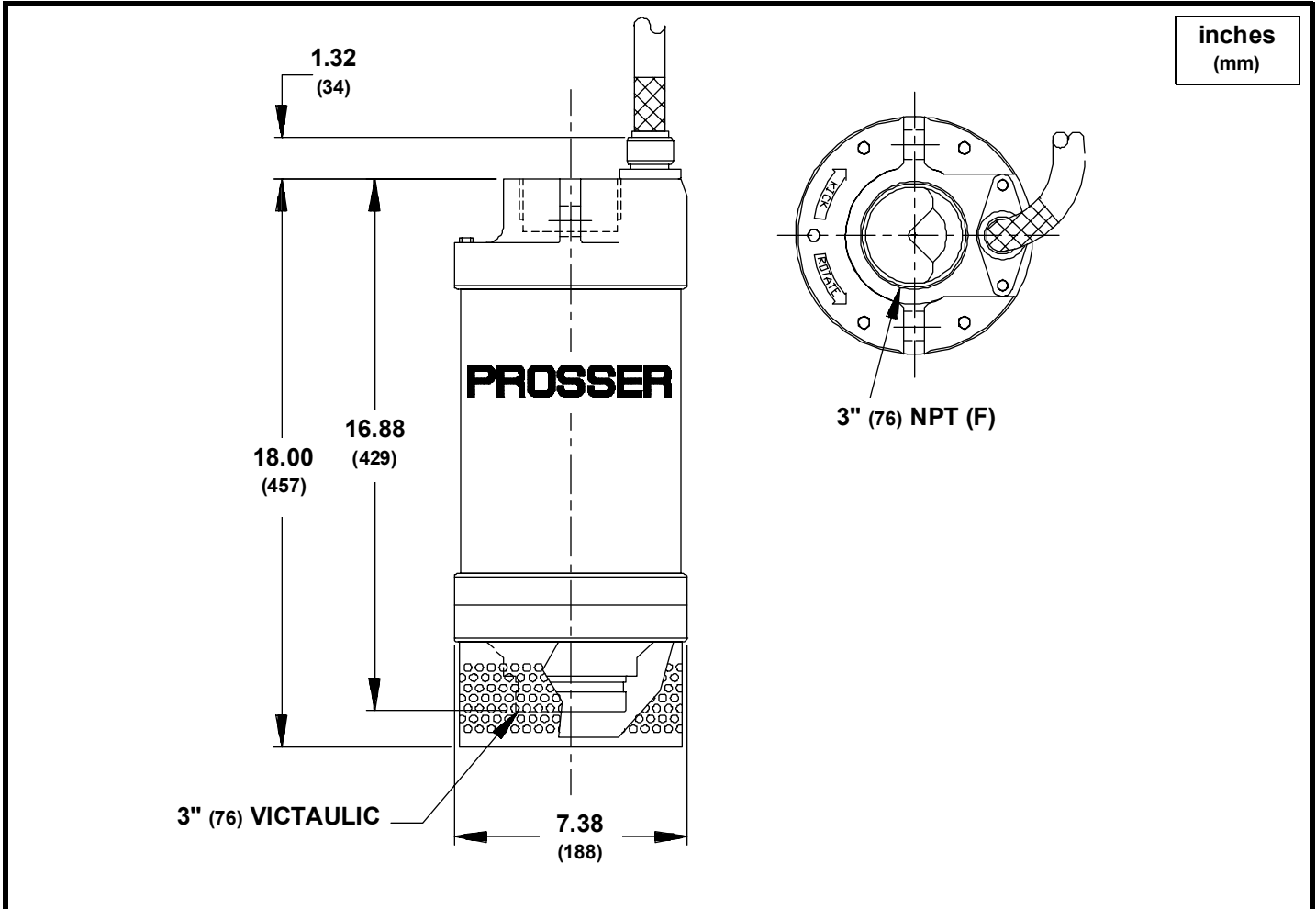
A Crane Co. Company
 1485 Lexington Ave.
 Mansfield, Ohio 44907-2674
 Ph: (937) 778-8947
 Fax: (419) 774-1530
 www.prosserpumps.com

420 Third Street/P.O. Box 603
 Piqua, Ohio 45356-0603
 Ph: (937) 778-8947
 Fax: (937) 773-7157
 www.cranepumps.com

83 West Drive
 Brampton, Ontario
 Canada L6T 2J6
 Ph: (905) 457-6223
 Fax: (905) 457-2650



SECTION	A
PAGE	14
DATE	12/02
REPLACES	3/01



PART NO.	HP	VOLT	PH	HZ	RPM (Nom.)	NEMA START CODE	FULL LOAD AMPS	LOCKED ROTOR AMPS	CORD SIZE	CORD TYPE	MAX. CABLE LENGTH
PUMP w/RAINPROOF CONTROL:											
9-27112-03	2.75	230	1	60	3450	D	12.5	52.6	12/4	SOW	197Ft./60M
PUMP w/OPTIONAL WATERTIGHT CONTROL											
9-27112-04	2.75	230	1	60	3450	D	12.5	52.6	12/4	SOW	197Ft./60M

Pump rated for operation at ± 10% voltage at motor.

IMPORTANT !

- 1.) PUMP MAY BE OPERATED "DRY" FOR EXTENDED PERIODS WITHOUT DAMAGE TO MOTOR AND/OR SEALS.
- 2.) THIS PUMP IS APPROPRIATE FOR THOSE APPLICATIONS SPECIFIED AS CLASS I DIVISION II HAZARDOUS LOCATIONS.
- 3.) THIS PUMP IS **NOT** APPROPRIATE FOR THOSE APPLICATIONS SPECIFIED AS CLASS I DIVISION I HAZARDOUS LOCATIONS.
- 4.) INSTALLATIONS SUCH AS DECORATIVE FOUNTAINS OR WATER FEATURES PROVIDED FOR VISUAL ENJOYMENT MUST BE INSTALLED IN ACCORDANCE WITH THE NATIONAL ELECTRIC CODE ANSI/NFPA 70 AND/OR THE AUTHORITY HAVING JURISDICTION. THIS PUMP IS NOT INTENDED FOR USE IN SWIMMING POOLS, RECREATIONAL WATER PARKS, OR INSTALLATIONS IN WHICH HUMAN CONTACT WITH PUMPED MEDIA IS A COMMON OCCURRENCE.



A Crane Co. Company

PUMPS & SYSTEMS

1485 Lexington Ave.
Mansfield, Ohio 44907-2674
Ph: (937) 778-8947
Fax: (419) 774-1530
www.prosserpumps.com

420 Third Street/P.O. Box 603
Piqua, Ohio 45356-0603
Ph: (937) 778-8947
Fax: (937) 773-7157
www.cranepumps.com

83 West Drive
Brampton, Ontario
Canada L6T 2J6
Ph: (905) 457-6223
Fax: (905) 457-2650

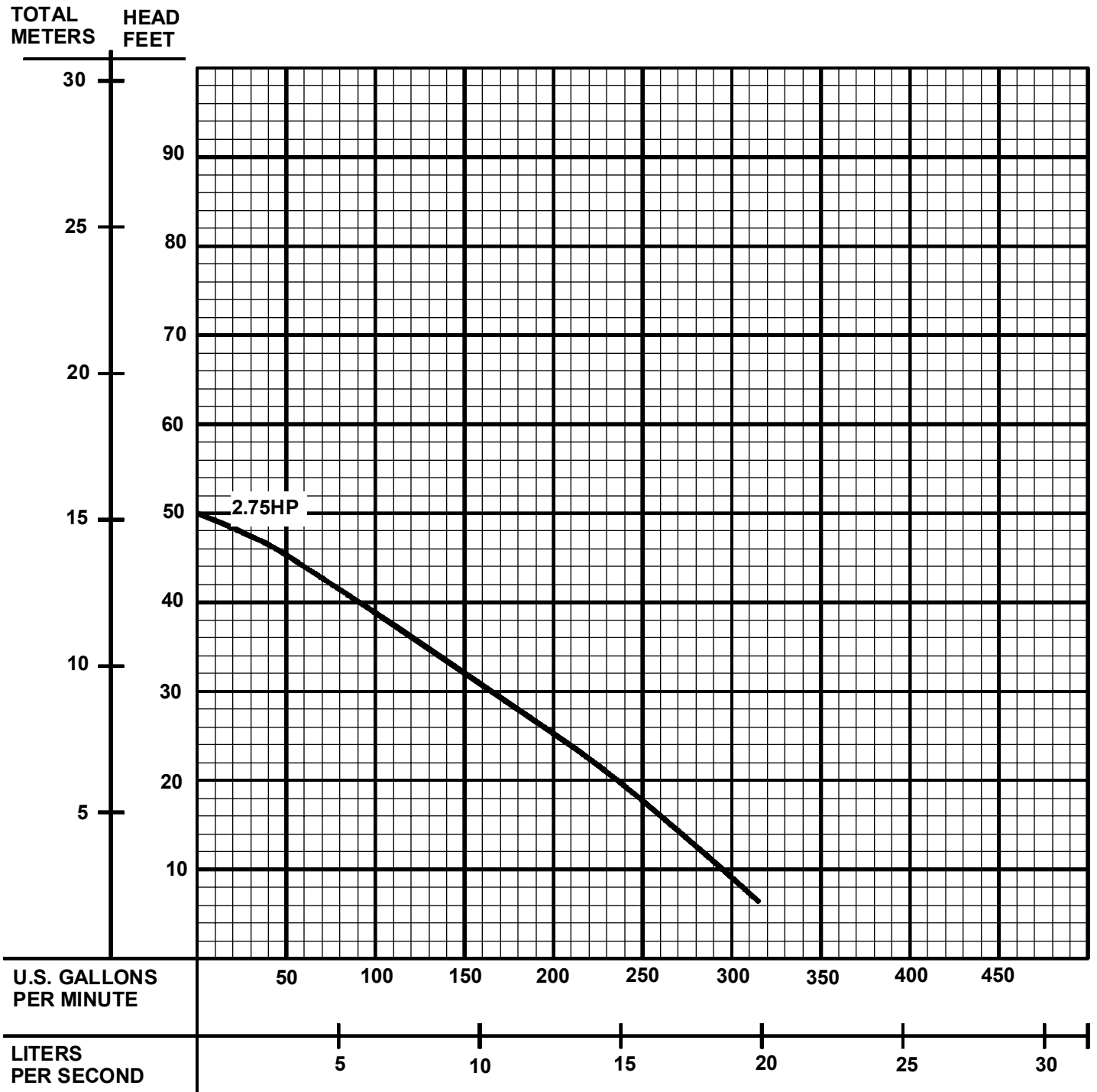


PERFORMANCE CURVE

Series: 9-27000

2.75HP, 3450RPM, 60Hz

SECTION	A
PAGE	15
DATE	12/02
REPLACES	3/01



Testing is performed with water, specific gravity of 1.0 @ 68°F (20°C), other fluids may vary performance.



PUMPS & SYSTEMS

1485 Lexington Ave.
Mansfield, Ohio 44907-2674
Ph: (937) 778-8947
Fax: (419) 774-1530
www.prosserpumps.com

420 Third Street/P.O. Box 603
Piqua, Ohio 45356-0603
Ph: (937) 778-8947
Fax: (937) 773-7157
www.cranepumps.com

83 West Drive
Brampton, Ontario
Canada L6T 2J6
Ph: (905) 457-6223
Fax: (905) 457-2650

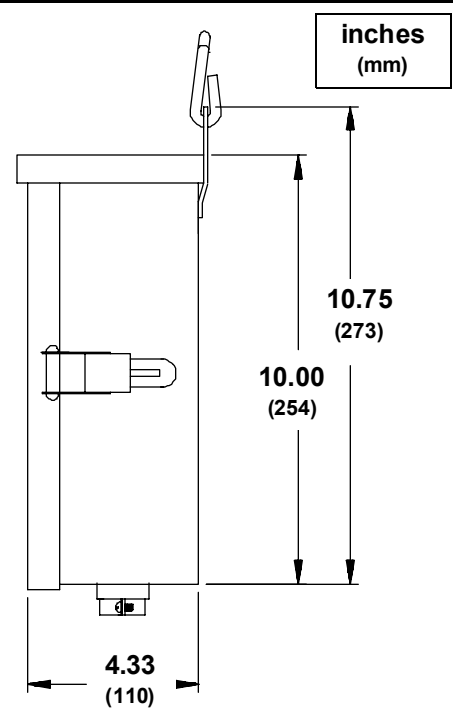
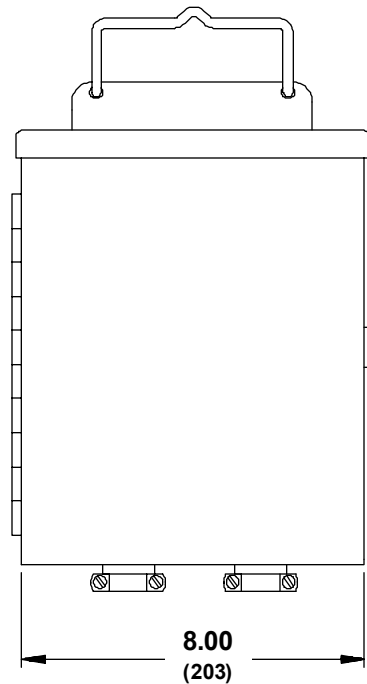


SECTION	A
PAGE	16
DATE	12/02
REPLACES	3/01

Controls For Series: 9-27000

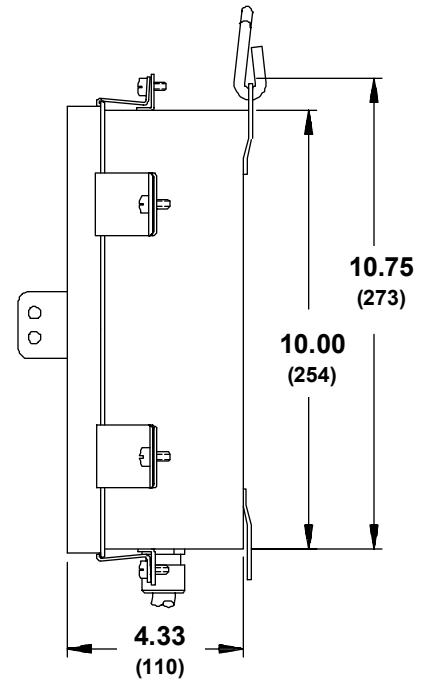
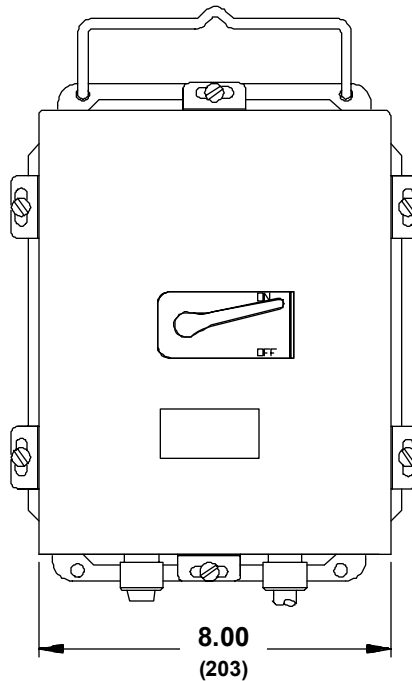
CONTROL NEMA 3R, RAINPROOF

Pump P/N 9-27112-03 Control P/N 9-270812-03



OPTIONAL - CONTROL NEMA4, WATERTIGHT

Pump P/N 9-27112-04 Control P/N 9-270812-04



CRANE[®]

A Crane Co. Company

PUMPS & SYSTEMS

1485 Lexington Ave.
Mansfield, Ohio 44907-2674
Ph: (937) 778-8947
Fax: (419) 774-1530
www.prosserpumps.com

420 Third Street/P.O. Box 603
Piqua, Ohio 45356-0603
Ph: (937) 778-8947
Fax: (937) 773-7157
www.cranepumps.com

83 West Drive
Brampton, Ontario
Canada L6T 2J6
Ph: (905) 457-6223
Fax: (905) 457-2650

