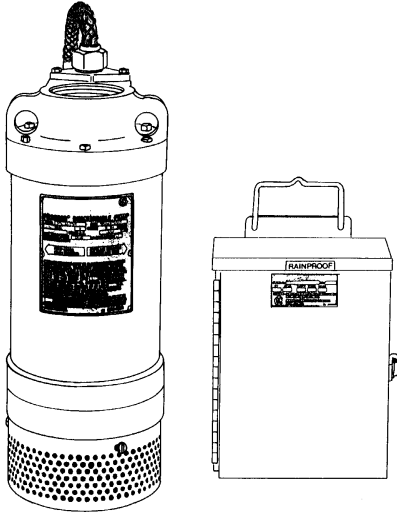


# PROSSER® STANDARD-LINE®

Submersible Dewatering Pumps  
 Series: 9-35000  
 3" NPT Female Discharge

SECTION	A
PAGE	17
DATE	12/02
REPLACES	1/02



**Series: 9-35000, 3.5HP, 1PH**



**DESCRIPTION:**

Prosser's small but powerful Portable Electric Submersible Pumps are compact, lightweight units. They are quiet and will operate in any position. No priming, suction hose or foot valves are required. Prosser pumps can be easily staged for higher head applications. The patented outboard shaft seal on this pump is a specially designed silicon carbide abrasive resistant type "S" shaft seal, which offers greater service life. A special abrasion resistant suction case lining and wear plate is a standard feature that protects the pump against wear from abrasive laden water.

The unique in-line design assures a cool running motor with heat transferred to the pumped liquid. Prosser pumps can operate in up to 140°F (60°C) temperature water and within a range of 5 to 9 PH.

Before pumping fluids other than water consult the factory, giving fluid, fluid temperature, specific gravity, viscosity, capacity in USGPM and total head and/or pressure requirements, including friction loss through discharge line, fittings, valves, etc.

- DISCHARGE CASE:** 356T6 Aluminum, Hard Anodized
- DIFFUSER:** 356T6 Aluminum, Hard Anodized
- SUCTION CASE:** 356T6 Aluminum, Hard Anodized, with wear resistant polyurethane liner
- FRAME & OUTER CASE:** 6063T6 Aluminum, Hard Anodized
- WEAR PLATE:** Polyurethane
- PUMP SHAFT:** Stainless Steel
- IMPELLER:** Hardened 17-4 Stainless Steel
- HARDWARE:** Stainless Steel
- O-RINGS:** Buna-N
- SEAL:** *Design:* Tandem Mechanical, Oil Lubricated
- INBOARD:** *Material:* Rotating Face - Carbon  
Stationary Face - Ceramic  
Elastomer - Buna-N  
Hardware - 300 Series Stainless
- OUTBOARD:** *Material:* Rotating Face - Silicon Carbide  
Stationary Face - Silicon Carbide  
Elastomer - Viton®  
Hardware - 300 Series Stainless
- STRAINER:** 300 series stainless steel, .25"(6.35mm) Holes
- UPPER BEARING:** *Design:* Single Row, Shielded, Ball  
*Lubrication:* Prelubricated high-temperature grease.  
*Load:* Radial
- LOWER BEARING:** *Design:* Single Row, Shielded, Ball  
*Lubrication:* Prelubricated high-temperature grease  
*Load:* Radial & Thrust
- CABLE ENTRY:** 50Ft. (15M), with Strain Relief and Pressure Grommet for Sealing
- MOTOR:** *Design:* NEMA Design L-Single Phase Squirrel Cage Induction .  
*Insulation:* Class F
- CONTROL:** *Single Phase:* Rainproof, NEMA 3R. Provides overload and short circuit protection, Start & Run Capacitors, ON-OFF Switch
- OPTIONAL EQUIPMENT:** Watertight, NEMA 4 Control, Adapter Kit Carrying Handle, Viton® Seals, Lift Cord and Sludge Strainer. See accessory section for additional information.

50HZ DATA AVAILABLE UPON REQUEST

**WARRANTY INVALID IF CORRECT PROSSER CONTROL IS NOT USED AT ALL TIMES**

<b>WEIGHT</b>	<b>SHIPPING WT./STD UNIT</b>
Pump Only - 61lbs.	<u>Pump, Cable &amp; Control</u>
Control - 12lbs	Domestic - 90 lbs.
Cable - .27lbs/Ft	Export - 127 lbs./4.2Cu.Ft.



**PUMPS & SYSTEMS**

A Crane Co. Company

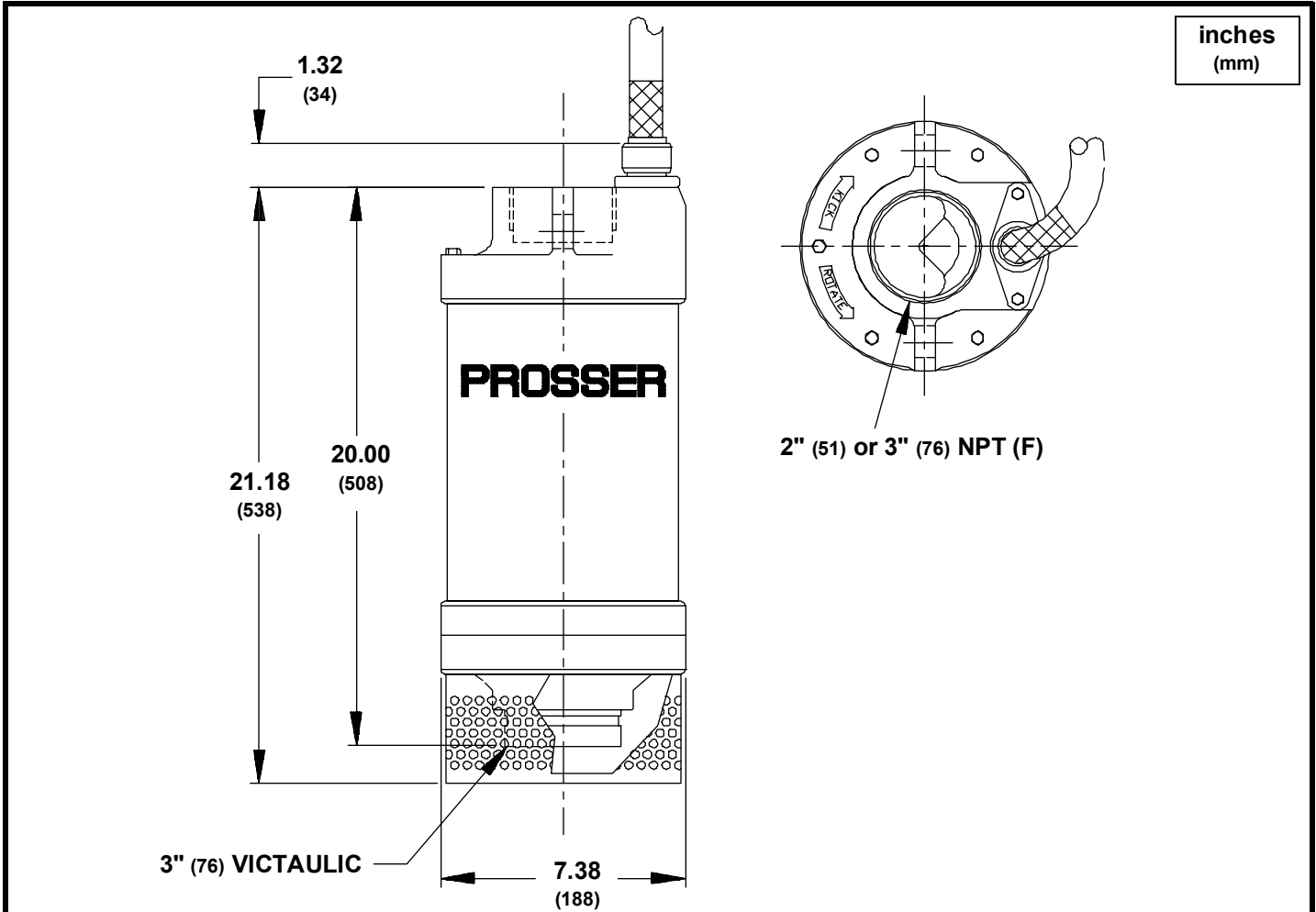
1485 Lexington Ave.  
 Mansfield, Ohio 44907-2674  
 Ph: (937) 778-8947  
 Fax: (419) 774-1530  
 www.prosserpumps.com

420 Third Street/P.O. Box 603  
 Piqua, Ohio 45356-0603  
 Ph: (937) 778-8947  
 Fax: (937) 773-7157  
 www.cranepumps.com

83 West Drive  
 Brampton, Ontario  
 Canada L6T 2J6  
 Ph: (905) 457-6223  
 Fax: (905) 457-2650



SECTION	A
PAGE	18
DATE	2/03
REPLACES	12/02



PART NO.	HP	VOLT	PH	HZ	RPM (Nom.)	NEMA START CODE	FULL LOAD AMPS	LOCKED ROTOR AMPS	CORD SIZE	CORD TYPE	MAX. CABLE LENGTH
<b>PUMP w/RAINPROOF CONTROL:</b>											
9-35112-03	3.5	230	1	60	3450	F	18.5	84.0	12/4	SOW	193Ft./59M
<b>PUMP w/OPTIONAL WATERTIGHT CONTROL</b>											
9-35112-04	3.5	230	1	60	3450	F	18.5	84.0	12/4	SOW	193Ft./59M

Pump rated for operation at ± 10% voltage at motor.

**IMPORTANT !**

- 1.) PUMP MAY BE OPERATED "DRY" FOR EXTENDED PERIODS WITHOUT DAMAGE TO MOTOR AND/OR SEALS.
- 2.) THIS PUMP IS APPROPRIATE FOR THOSE APPLICATIONS SPECIFIED AS CLASS I DIVISION II HAZARDOUS LOCATIONS. THE CONTROL SUPPLIED WITH THE PUMP IS NOT APPROPRIATE FOR HAZARDOUS LOCATIONS.
- 3.) THIS PUMP IS **NOT** APPROPRIATE FOR THOSE APPLICATIONS SPECIFIED AS CLASS I DIVISION I HAZARDOUS LOCATIONS.
- 4.) INSTALLATIONS SUCH AS DECORATIVE FOUNTAINS OR WATER FEATURES PROVIDED FOR VISUAL ENJOYMENT MUST BE INSTALLED IN ACCORDANCE WITH THE NATIONAL ELECTRIC CODE ANSI/NFPA 70 AND/OR THE AUTHORITY HAVING JURISDICTION. THIS PUMP IS NOT INTENDED FOR USE IN SWIMMING POOLS, RECREATIONAL WATER PARKS, OR INSTALLATIONS IN WHICH HUMAN CONTACT WITH PUMPED MEDIA IS A COMMON OCCURRENCE.



A Crane Co. Company

**PUMPS & SYSTEMS**

1485 Lexington Ave.  
Mansfield, Ohio 44907-2674  
Ph: (937) 778-8947  
Fax: (419) 774-1530  
www.prosserpumps.com

420 Third Street/P.O. Box 603  
Piqua, Ohio 45356-0603  
Ph: (937) 778-8947  
Fax: (937) 773-7157  
www.cranepumps.com

83 West Drive  
Brampton, Ontario  
Canada L6T 2J6  
Ph: (905) 457-6223  
Fax: (905) 457-2650

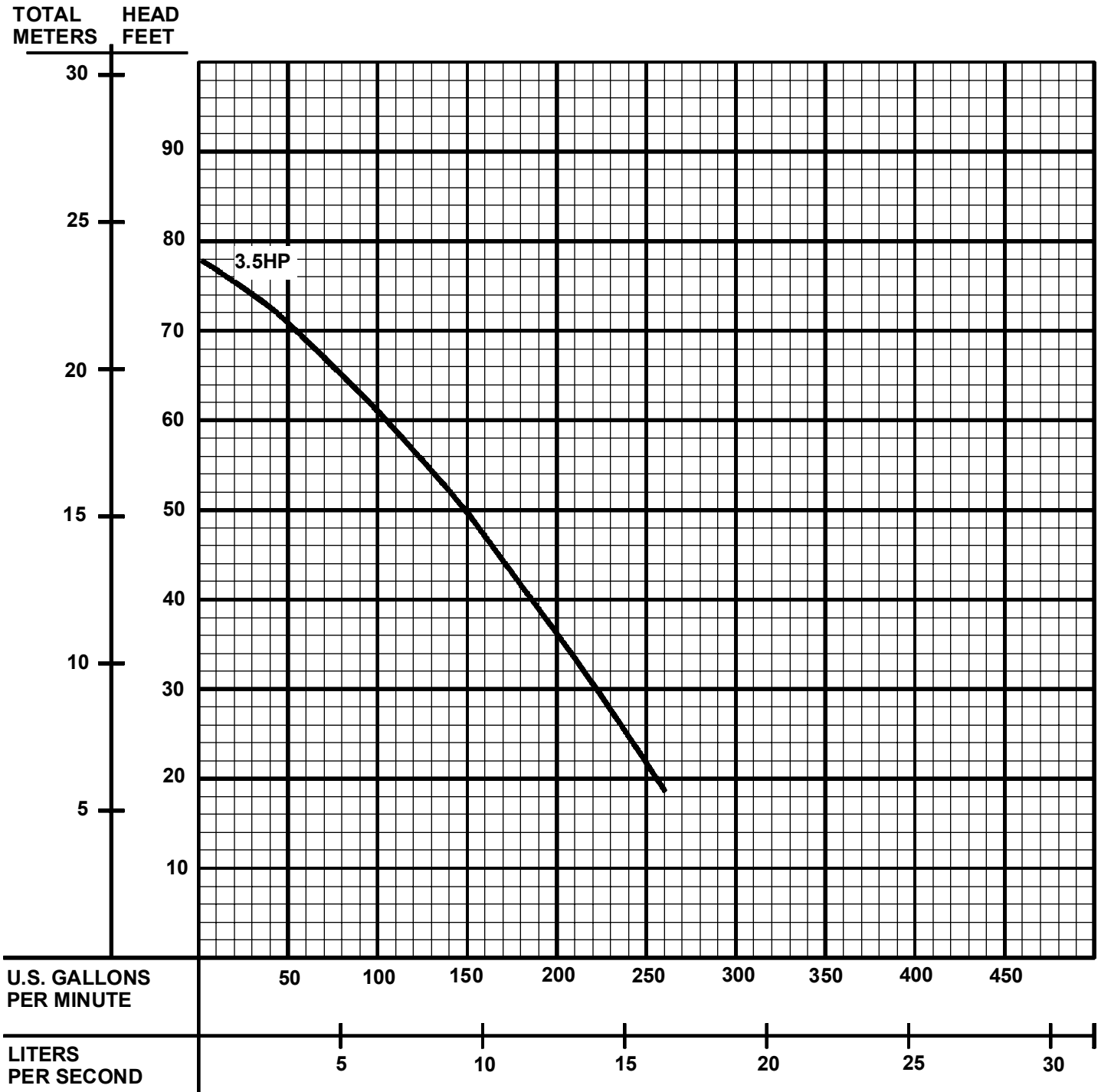


# PERFORMANCE CURVE

Series: 9-35000

3.5HP, 3450RPM, 60Hz

SECTION	A
PAGE	19
DATE	12/02
REPLACES	3/01



Testing is performed with water, specific gravity of 1.0 @ 68°F (20°C), other fluids may vary performance.



## PUMPS & SYSTEMS

1485 Lexington Ave.  
Mansfield, Ohio 44907-2674  
Ph: (937) 778-8947  
Fax: (419) 774-1530  
www.prosserpumps.com

420 Third Street/P.O. Box 603  
Piqua, Ohio 45356-0603  
Ph: (937) 778-8947  
Fax: (937) 773-7157  
www.cranepumps.com

83 West Drive  
Brampton, Ontario  
Canada L6T 2J6  
Ph: (905) 457-6223  
Fax: (905) 457-2650

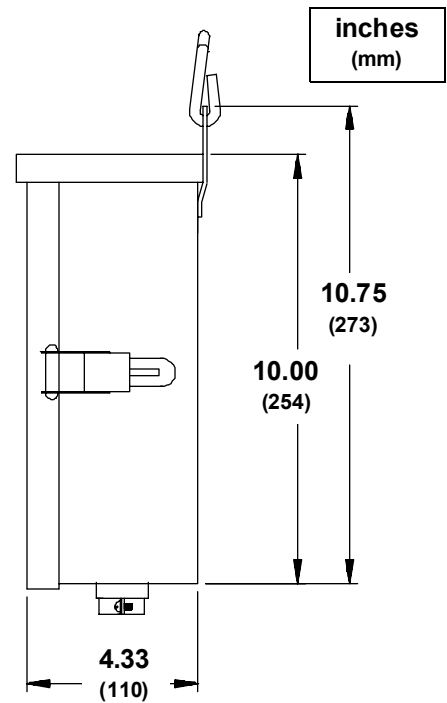
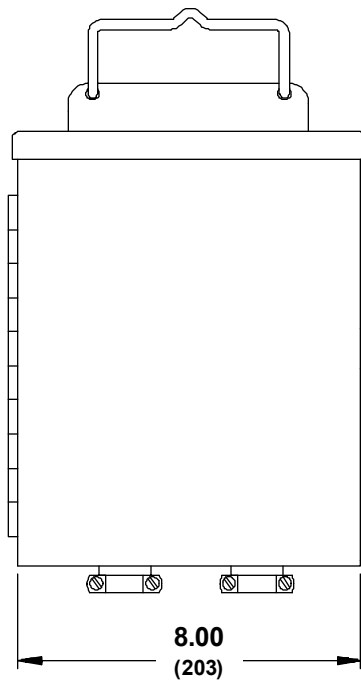


SECTION	A
PAGE	20
DATE	12/02
REPLACES	3/01

# Controls For Series: 9-35000

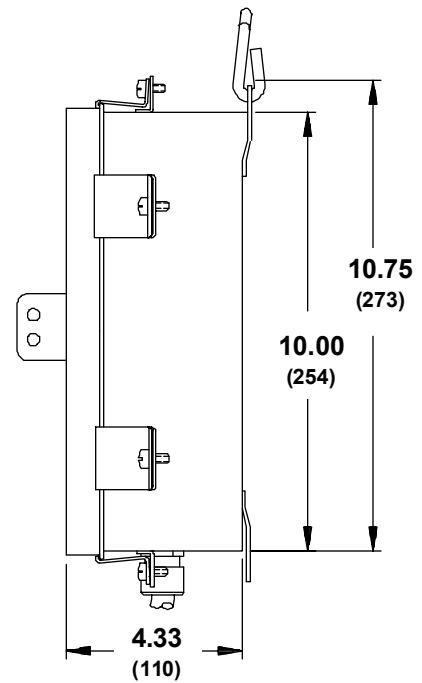
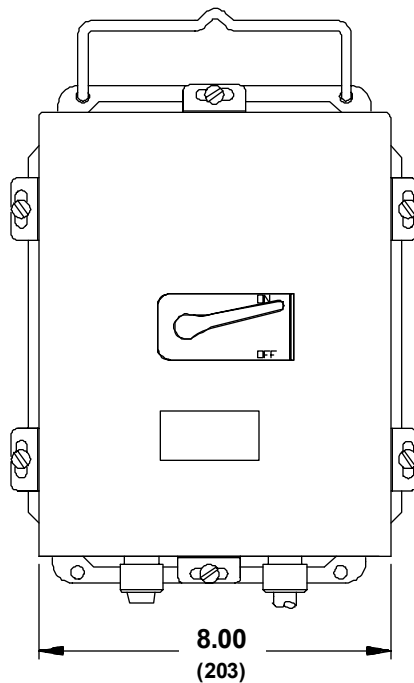
## CONTROL NEMA 3R, RAINPROOF

Pump P/N 9-35112-03      Control P/N 9-350812-03



## OPTIONAL - CONTROL NEMA4, WATERTIGHT

Pump P/N 9-35112-04      Control P/N 9-350812-04



**CRANE**

A Crane Co. Company

### PUMPS & SYSTEMS

1485 Lexington Ave.  
Mansfield, Ohio 44907-2674  
Ph: (937) 778-8947  
Fax: (419) 774-1530  
www.prosserpumps.com

420 Third Street/P.O. Box 603  
Piqua, Ohio 45356-0603  
Ph: (937) 778-8947  
Fax: (937) 773-7157  
www.cranepumps.com

83 West Drive  
Brampton, Ontario  
Canada L6T 2J6  
Ph: (905) 457-6223  
Fax: (905) 457-2650

