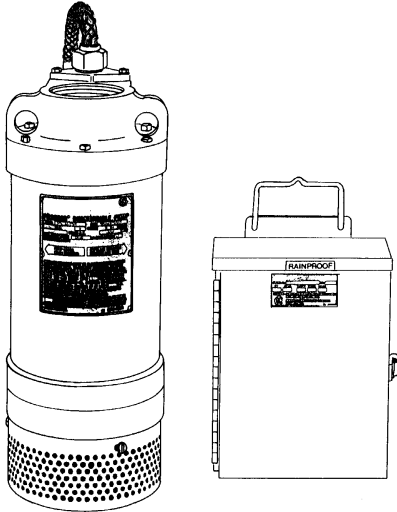


PROSSER® STANDARD-LINE®

Submersible Dewatering Pumps
Series: 9-55000, 2 Stage, High Head
2" NPT Female Discharge

SECTION	A
PAGE	25
DATE	12/02
REPLACES	1/02



**Series: 9-55000, 5.0HP, 3PH
2 Stage**



DESCRIPTION:

Prosser's small but powerful Portable Electric Submersible Pumps are compact, lightweight units. They are quiet and will operate in any position. No priming, suction hose or foot valves are required. Prosser pumps can be easily staged for higher head applications. The patented outboard shaft seal on this pump is a specially designed silicon carbide abrasive resistant type "S" shaft seal, which offers greater service life. A special abrasion resistant suction case lining and wear plate is a standard feature that protects the pump against wear from abrasive laden water.

The unique in-line design assures a cool running motor with heat transferred to the pumped liquid. Prosser pumps can operate in up to 140°F (60°C) temperature water and within a range of 5 to 9 PH.

Before pumping fluids other than water consult the factory, giving fluid, fluid temperature, specific gravity, viscosity, capacity in USGPM and total head and/or pressure requirements, including friction loss through discharge line, fittings, valves, etc.

DISCHARGE CASE:	356T6 Aluminum, Hard Anodized
DIFFUSER:	356T6 Aluminum, Hard Anodized
SUCTION CASE:	356T6 Aluminum, Hard Anodized, with wear resistant polyurethane liner
FRAME & OUTER CASE:	6063T6 Aluminum, Hard Anodized
WEAR PLATE:	Polyurethane
PUMP SHAFT:	Stainless Steel
IMPELLER:	Hardened 17-4 Stainless Steel
HARDWARE:	Stainless Steel
O-RINGS:	Buna-N
SEAL: <i>Design:</i>	Tandem Mechanical, Oil Lubricated
INBOARD: <i>Material:</i>	Rotating Face - Carbon
	Stationary Face - Ceramic
	Elastomer - Buna-N
OUTBOARD: <i>Material:</i>	Hardware - 300 Series Stainless
	Rotating Face - Silicon Carbide
	Stationary Face - Silicon Carbide
	Elastomer - Viton®
STRAINER:	Hardware - 300 Series Stainless
	300 series stainless steel, .25"(6.35mm) Holes
UPPER BEARING:	
	<i>Design:</i> Single Row, Shielded, Ball
	<i>Lubrication:</i> Prelubricated high-temperature grease
	<i>Load:</i> Radial
LOWER BEARING:	
	<i>Design:</i> Single Row, Shielded, Ball
	<i>Lubrication:</i> Prelubricated high-temperature grease
	<i>Load:</i> Radial & Thrust
CABLE ENTRY:	50Ft. (15M), with Strain Relief and Pressure Grommet for Sealing
MOTOR: <i>Design:</i>	NEMA Design B-Three Phase Squirrel Cage Induction
	<i>Insulation:</i> Class F
CONTROL: <i>Three Phase:</i>	Rainproof, NEMA 3R, Provides with Circuit Breaker for overload and short circuit protection
OPTIONAL EQUIPMENT:	Watertight, NEMA 4 Control, Adapter Kit Carrying Handle, Viton® Seals, Lift Cord and Sludge Strainer. See accessory section for additional information.

50HZ DATA AVAILABLE UPON REQUEST

WARRANTY INVALID IF CORRECT PROSSER CONTROL IS NOT USED AT ALL TIMES

WEIGHT	SHIPPING WT./STD UNIT
Pump Only - 73lbs.	<u>Pump, Cable & Control</u>
Control - 12lbs	Domestic - 102lbs.
Cable - .27lbs/Ft	Export - 139lbs./4.5Cu.Ft.



A Crane Co. Company

PUMPS & SYSTEMS

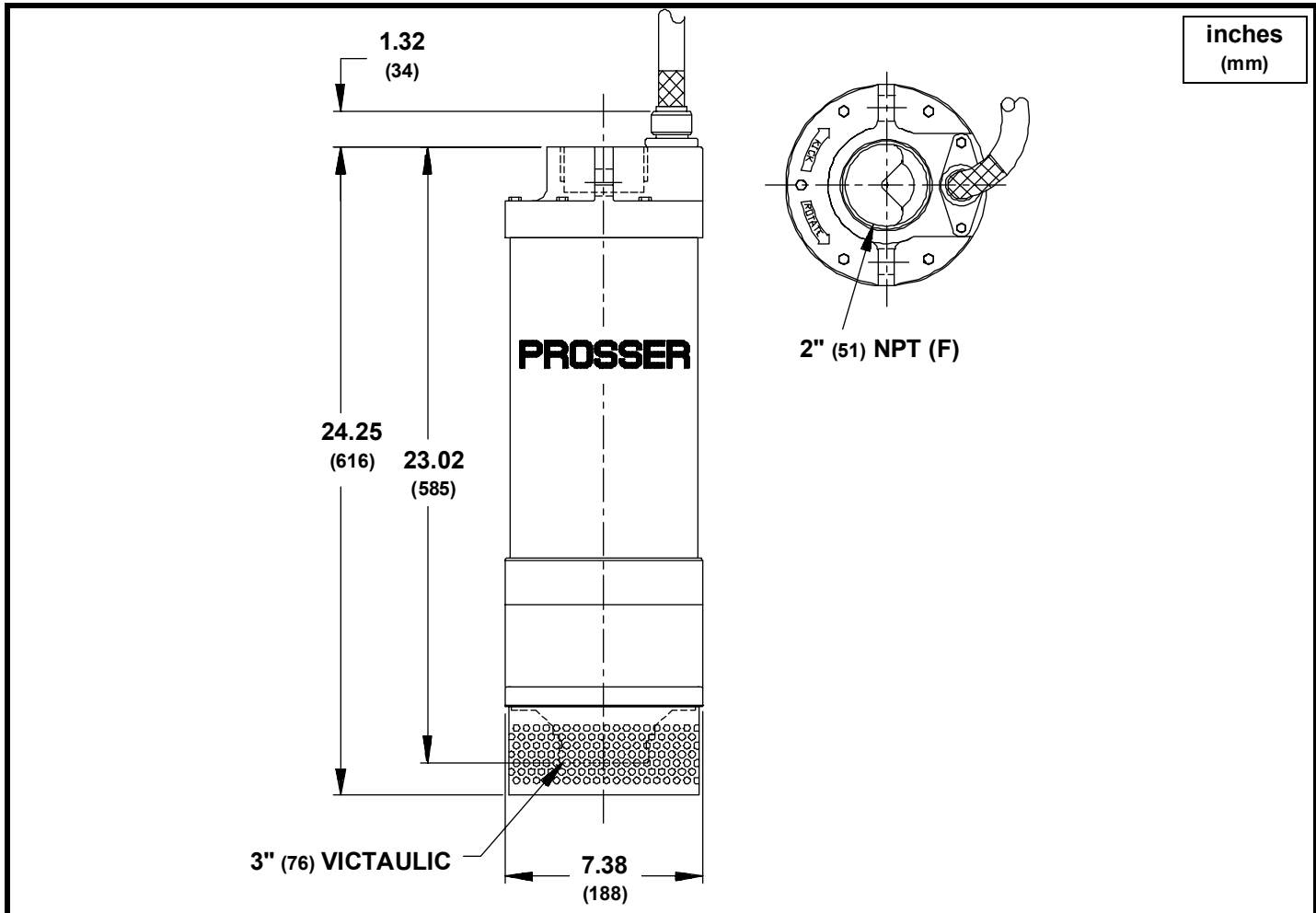
1485 Lexington Ave.
Mansfield, Ohio 44907-2674
Ph: (937) 778-8947
Fax: (419) 774-1530
www.prosserpumps.com

420 Third Street/P.O. Box 603
Piqua, Ohio 45356-0603
Ph: (937) 778-8947
Fax: (937) 773-7157
www.cranepumps.com

83 West Drive
Brampton, Ontario
Canada L6T 2J6
Ph: (905) 457-6223
Fax: (905) 457-2650



SECTION	A
PAGE	26
DATE	2/03
REPLACES	12/02



PART NO.	HP	VOLT	PH	HZ	RPM (Nom.)	NEMA START CODE	FULL LOAD AMPS	LOCKED ROTOR AMPS	CORD SIZE	CORD TYPE	MAX. CABLE LENGTH
PUMP w/RAINPROOF CONTROL:											
9-55132-03	5.0	230	3	60	3450	H	15.2	87.8	12/4	SOW	245Ft./75M
9-55134-03	5.0	460	3	60	3450	H	7.6	43.9	12/4	SOW	982Ft./299M
9-55135-03	5.0	575	3	60	3450	H	6.1	35.1	12/4	SOW	1392Ft./424M
PUMP w/OPTIONAL WATERTIGHT CONTROL:											
9-55132-04	5.0	230	3	60	3450	H	15.2	87.8	12/4	SOW	245Ft./75M
9-55134-04	5.0	460	3	60	3450	H	7.6	43.9	12/4	SOW	982Ft./299M
9-55135-04	5.0	575	3	60	3450	H	6.1	35.1	12/4	SOW	1392Ft./424M

Pump rated for operation at $\pm 10\%$ voltage at motor.

IMPORTANT !

- 1.) PUMP MAY BE OPERATED "DRY" FOR EXTENDED PERIODS WITHOUT DAMAGE TO MOTOR AND/OR SEALS.
- 2.) THIS PUMP IS APPROPRIATE FOR THOSE APPLICATIONS SPECIFIED AS CLASS I DIVISION II HAZARDOUS LOCATIONS. THE CONTROL SUPPLIED WITH THE PUMP IS NOT APPROPRIATE FOR HAZARDOUS LOCATIONS.
- 3.) THIS PUMP IS **NOT** APPROPRIATE FOR THOSE APPLICATIONS SPECIFIED AS CLASS I DIVISION I HAZARDOUS LOCATIONS.
- 4.) INSTALLATIONS SUCH AS DECORATIVE FOUNTAINS OR WATER FEATURES PROVIDED FOR VISUAL ENJOYMENT MUST BE INSTALLED IN ACCORDANCE WITH THE NATIONAL ELECTRIC CODE ANSI/NFPA 70 AND/OR THE AUTHORITY HAVING JURISDICTION. THIS PUMP IS NOT INTENDED FOR USE IN SWIMMING POOLS, RECREATIONAL WATER PARKS, OR INSTALLATIONS IN WHICH HUMAN CONTACT WITH PUMPED MEDIA IS A COMMON OCCURRENCE.



A Crane Co. Company

PUMPS & SYSTEMS

1485 Lexington Ave.
Mansfield, Ohio 44907-2674
Ph: (937) 778-8947
Fax: (419) 774-1530
www.prosserpumps.com

420 Third Street/P.O. Box 603
Piqua, Ohio 45356-0603
Ph: (937) 778-8947
Fax: (937) 773-7157
www.cranepumps.com

83 West Drive
Brampton, Ontario
Canada L6T 2J6
Ph: (905) 457-6223
Fax: (905) 457-2650

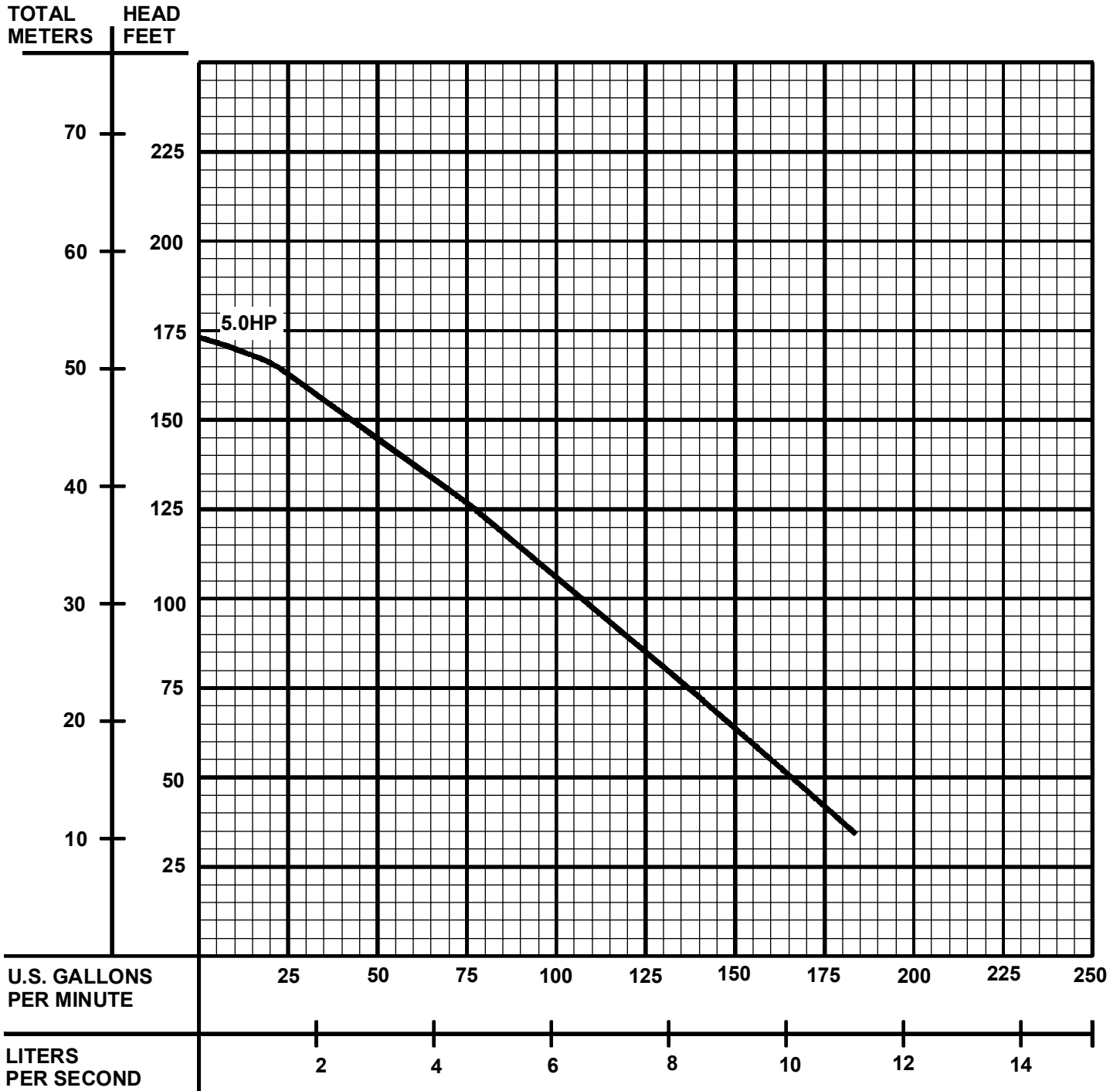


PERFORMANCE CURVE

Series: 9-55000, 2 Stage

5.0HP, 3450RPM, 60Hz

SECTION	A
PAGE	27
DATE	12/02
REPLACES	3/01



Testing is performed with water, specific gravity of 1.0 @ 68°F (20°C), other fluids may vary performance.



PUMPS & SYSTEMS

1485 Lexington Ave.
 Mansfield, Ohio 44907-2674
 Ph: (937) 778-8947
 Fax: (419) 774-1530
www.prosserpumps.com

420 Third Street/P.O. Box 603
 Piqua, Ohio 45356-0603
 Ph: (937) 778-8947
 Fax: (937) 773-7157
www.cranepumps.com

83 West Drive
 Brampton, Ontario
 Canada L6T 2J6
 Ph: (905) 457-6223
 Fax: (905) 457-2650

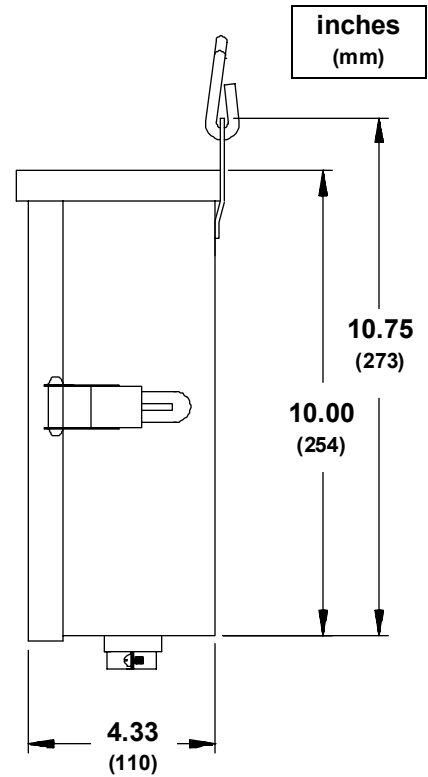
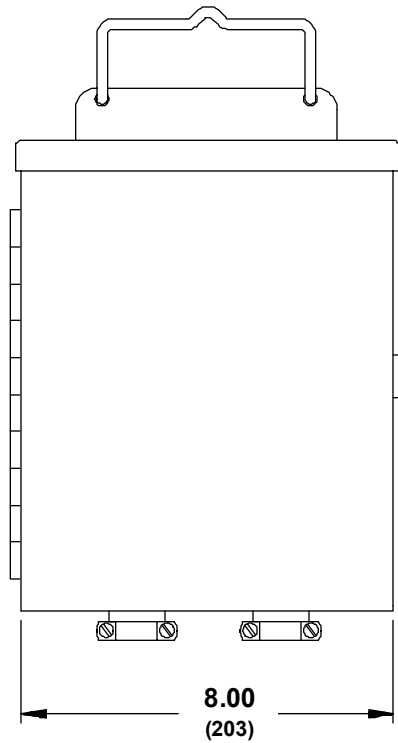


SECTION	A
PAGE	28
DATE	12/02
REPLACES	3/01

Controls For Series: 9-55000, 2 Stage

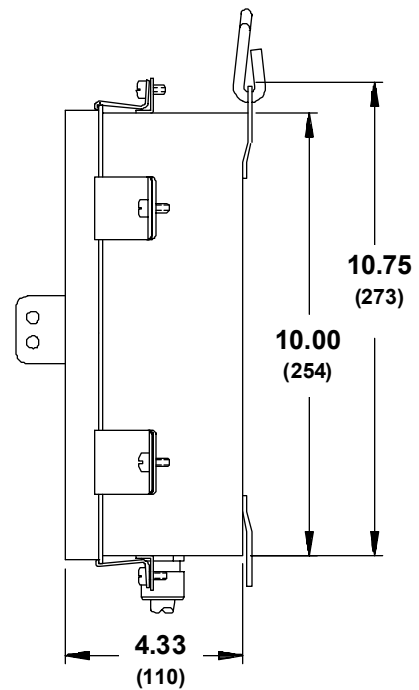
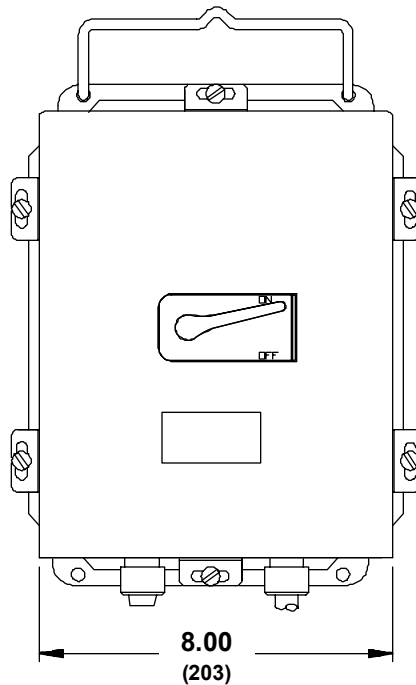
CONTROL NEMA 3R, RAINPROOF

Pump P/N	Control P/N
9-55132-03	9-810834-03
9-55134-03	9-500834-03
9-55135-03	9-500835-03



OPTIONAL - CONTROL NEMA4, WATERTIGHT

Pump P/N	Control P/N
9-55132-04	9-810834-04
9-55134-04	9-500834-04
9-55135-04	9-500835-04



CRANE[®]

A Crane Co. Company

PUMPS & SYSTEMS

1485 Lexington Ave.
Mansfield, Ohio 44907-2674
Ph: (937) 778-8947
Fax: (419) 774-1530
www.prosserpumps.com

420 Third Street/P.O. Box 603
Piqua, Ohio 45356-0603
Ph: (937) 778-8947
Fax: (937) 773-7157
www.cranepumps.com

83 West Drive
Brampton, Ontario
Canada L6T 2J6
Ph: (905) 457-6223
Fax: (905) 457-2650

AEM
ASSOCIATION OF
EQUIPMENT
MANUFACTURERS